



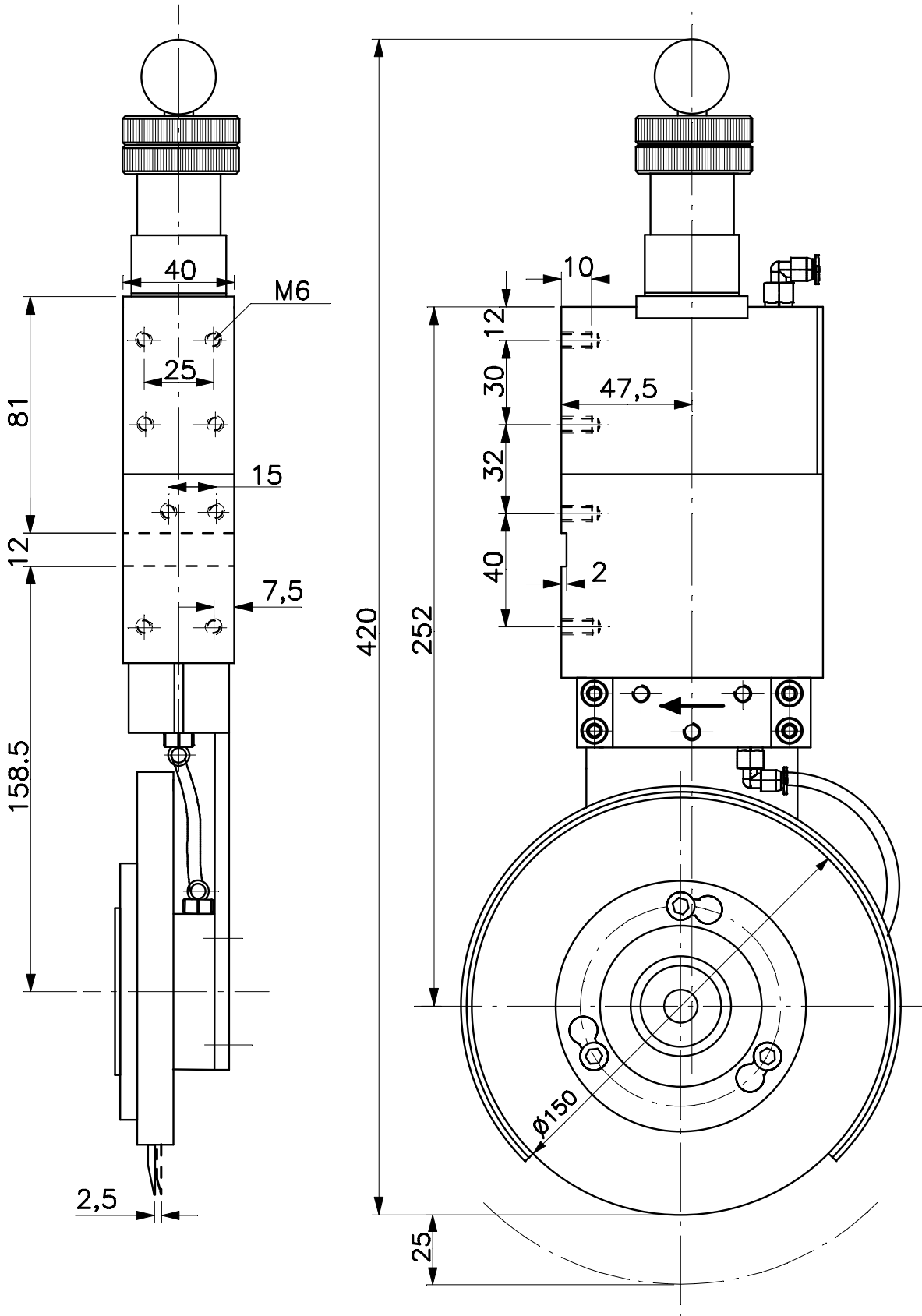
*WISTEC Knifeholder Type 40-150*

The WISTEC Knifeholder 40-150 is designed for shear cuts. **A minimum cut width of 40 mm** and a stable mechanical structure permit advanced and heavy applications like cutting papers, foils, and laminates of up to 150...200 g/m<sup>2</sup>, and foil thickness of approx. 1.5 mm.

**TECHNICAL DATA:**

Operating pressure:	3...6 bar
Circular blade diameter:	150 mm
Hub vertical:	25 mm
Hub horizontal:	2.5 mm
Cutting angle:	0.5°
Total length:	420 mm
Average installation height:	248 mm
Average installation depth:	75 mm
Weight:	2800g

The knifeholder is made out of rustproof materials, so all steel parts have an electroplated coating. It represents a flexible construction kit system and can be adapted easily on existing guide rails. The knives can also deflect from used standards (Ø150 x Ø80 x 2,5 mm) without any problem. The WISTEC holder sets itself apart from other products on the market, because it possesses a defined cutting angle. Nevertheless, you can easily use the second edge of the bottomknife by turning the cutter head around 180°. The easy and fast switching between different operating pressures is also new.



**WISTEC GmbH**  
 Phone: +49-39888-525190  
 Fax: +49-39888-52744  
 E-mail: info@wistec.net

Knifeholder

Type 40-150